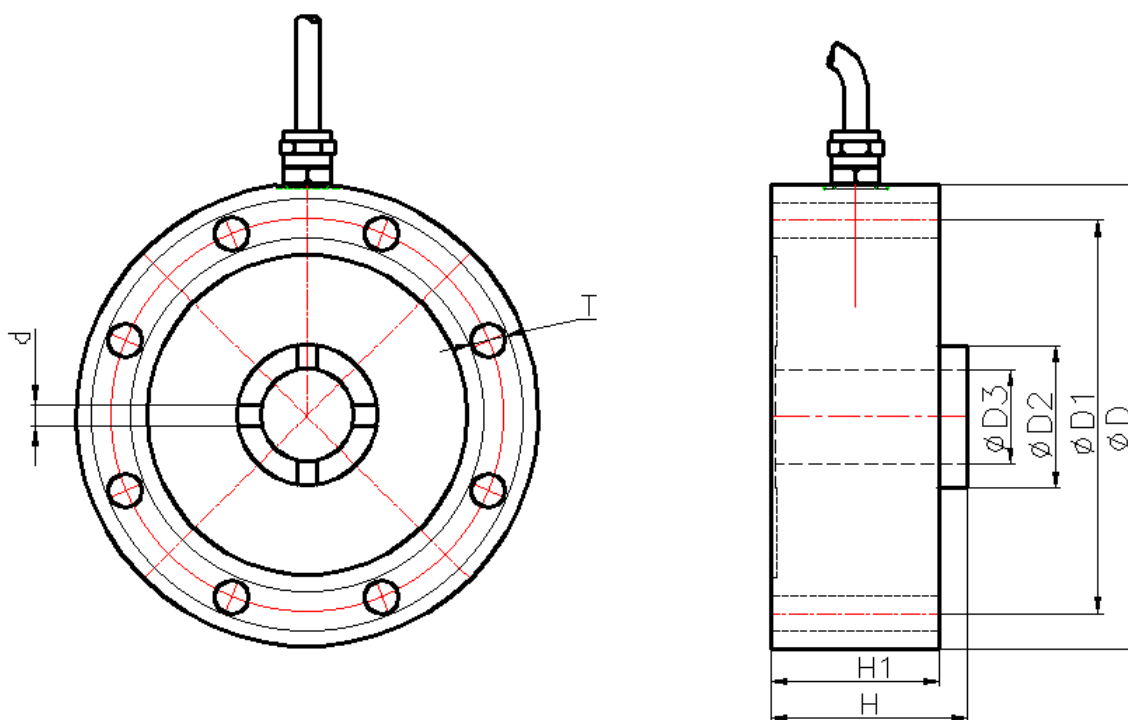




## DESCRIPTION

Low profile, suitable for tension and compression using. Small deflection, the compact construction is suitable for withstanding extraneous loads. High permissible dynamic load, protection to IP67.

## OUTLINE DIMENSIONS in millimeters ( mm )



Capacity	Size mm							
t	D	D1	D2	D3	d	H	H1	T
0.5-10	118	100	36	$24^{+0.10}_{+0.20}$	4×5.1	50	43	8× φ 9
20	160	135	62	$40^{+0.10}_{+0.20}$	4×5.1	53	45.5	10× φ 14
30	172	147	65	$45^{+0.10}_{+0.20}$	4×5.1	74.5	67	12× φ 14

## SPECIFICATIONS

Capacity		500kg,1t,2t,5t,10t,20t,30t
Rated output	mv/v	2.0 ± 0.1%
Non-linearity	%F.S	0.05
Hysteresis	%F.S	0.05
Creep in 30 minutes	%F.S	0.05
Zero balance	%F.S	± 1
Input resistance	Ω	385 ± 20
Output resistance	Ω	350 ± 3
Insulation resistance	MΩ	≥ 5000
Excitation voltage	V	10V (maximum 15V) AC/DC
Environmental protection		IP67
Safe overload	%F.S	150
Ultimate overload	%F.S	300
Operating temperature range	°C	-10 ~ +40
Material		Alloy steel & Stainless steel
Cable Length	m	5

## FEATURE

- Axle-load scale, warehouse scale, experimental machine

## Wiring Schematic Diagram

