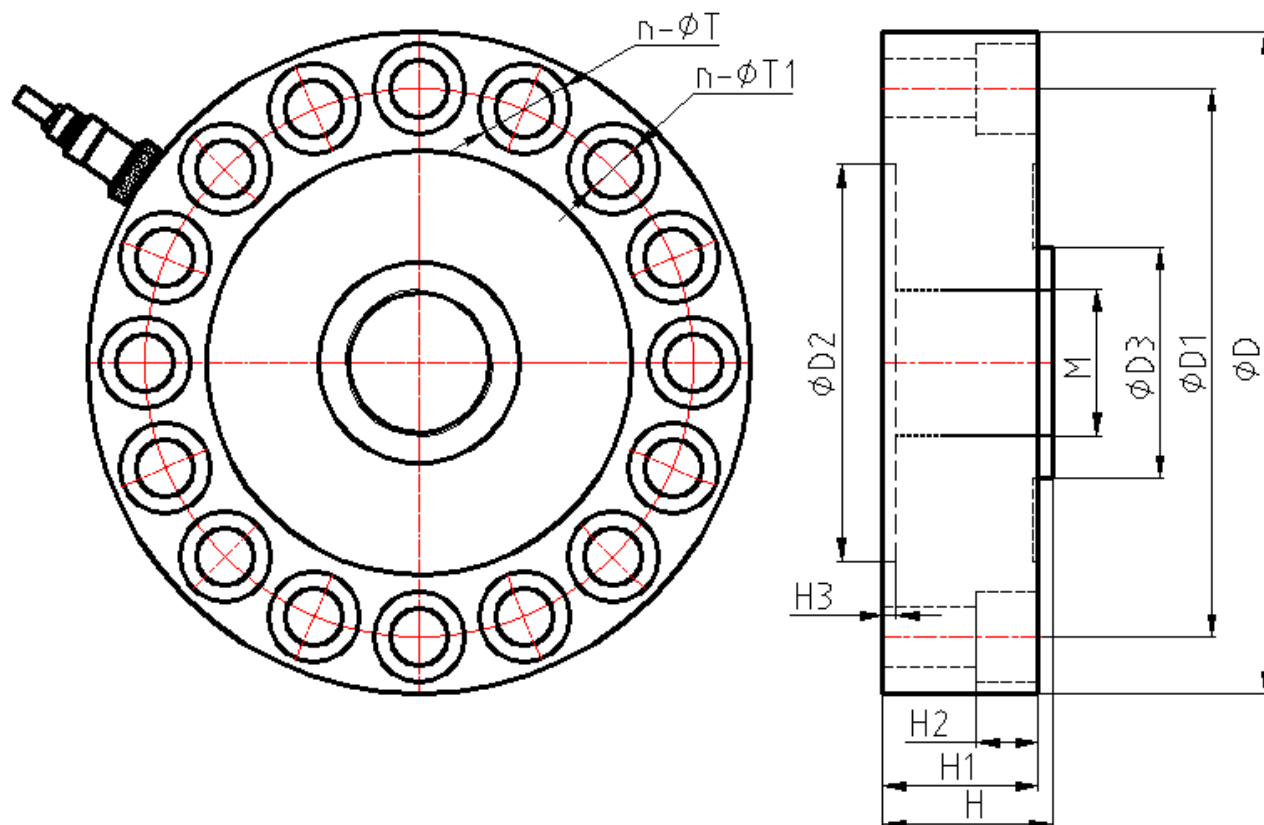




DESCRIPTION

Low profile, suitable for tension and compression using. Small deflection, the compact construction is suitable for withstanding extraneous loads. High permissible dynamic load, protection to IP67.

OUTLINE DIMENSIONS in millimeters (mm)



Capacity	Size mm									
t	D	D1	D2	M	H	H1	H2	H3	T	T1
50	234	194	150	M52×2	60	55	22	4.7	16-φ21	16-φ32
100	258	218	174	M76×2	60	57	22	3	16-φ21	16-φ32

SPECIFICATIONS

Capacity	t	50,100
Rated output	mv/v	3.0 ± 0.1%
Non-linearity	%F.S	0.1
Hysteresis	%F.S	0.1
Creep in 30 minutes	%F.S	0.05
Zero balance	%F.S	± 1
Input resistance	Ω	(50t) 770 ± 10 / (100t) 385 ± 20
Output resistance	Ω	(50t) 701 ± 3 / (100t) 350 ± 3
Insulation resistance	MΩ	≥ 5000
Excitation voltage	V	10V (maximum 15V) AC/DC
Environmental protection		IP67
Safe overload	%F.S	150
Ultimate overload	%F.S	300
Operating temperature range	°C	-10 ~ +40
Material		Alloy steel & Stainless steel
Cable Length	m	5

FEATURE

- Axle-load scale, warehouse scale, experimental machine

Wiring Schematic Diagram

