

LFA1 Sensor

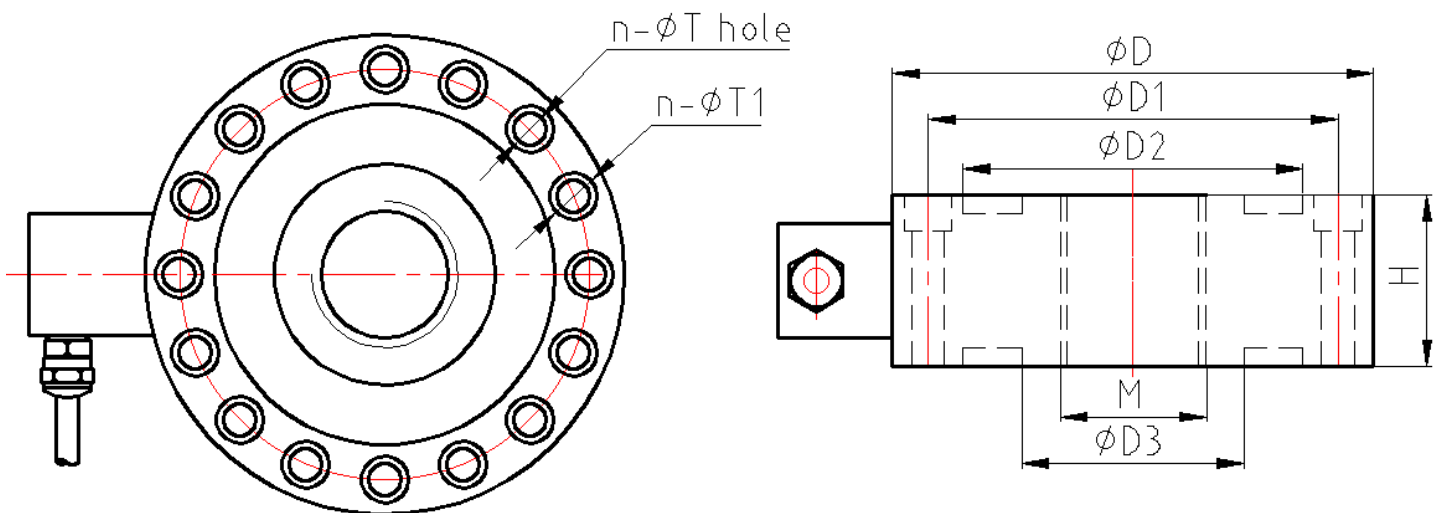


DESCRIPTION

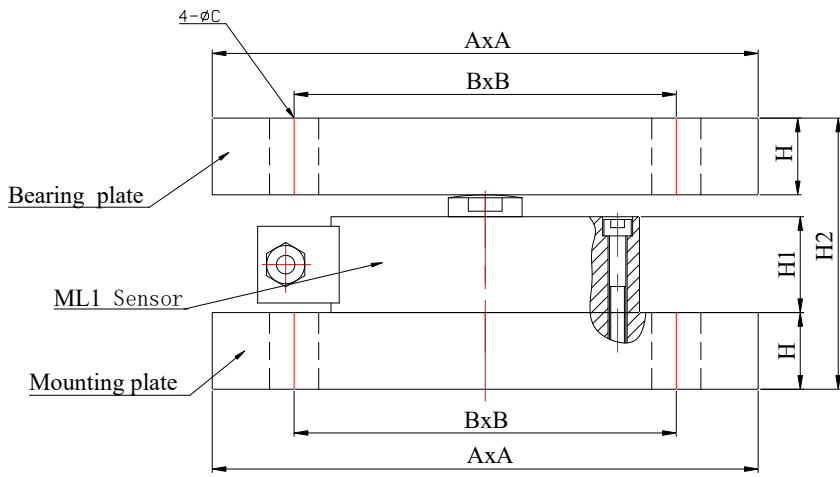
Low profile, suitable for tension and compression using. Small deflection, the compact construction is suitable for withstanding extraneous loads. High permissible dynamic load, protection to IP67.

OUTLINE DIMENSIONS in millimeters

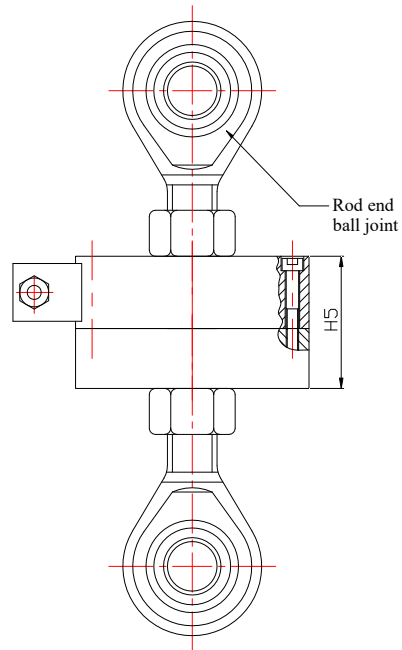
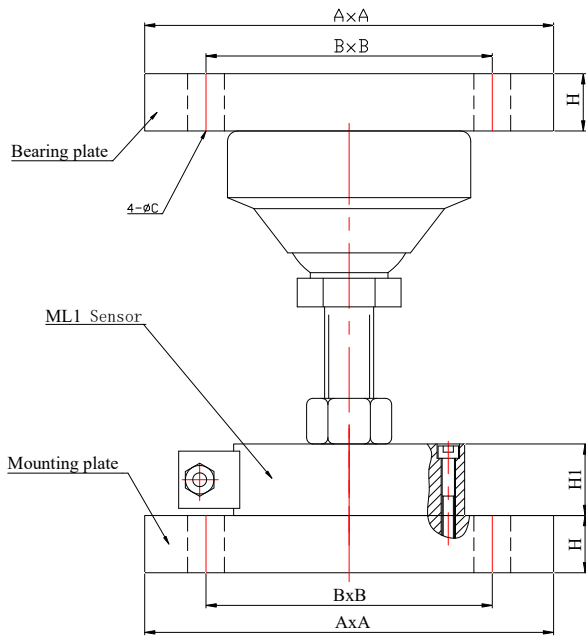
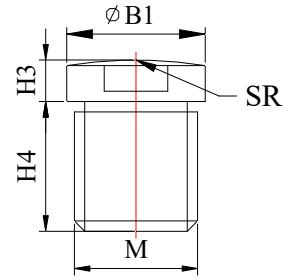
Overhead view



Capacity	Size mm							
t	D	D1	D2	D3	H	M	n-T	n-T1
1-5	113	97	76	42	35	M24×2	8-Φ7	8-Φ10.5
10,20	155	130	101	61	45	M36×2	12-Φ11	12-Φ18
30	180	150	120	80	58	M42×2	12-Φ13	12-Φ20
50	205	165	120	80	64	M42×2	16-Φ13	16-Φ20
100	280	228	176	124	90	M70×3	16-Φ17	16-Φ28
150,200	296	256	217	140	120	M90×3	16-Φ22	--
300	346	282	236	180	180	M120×3	16-Φ26	--



Mounting plate



Capacity	Size mm											
	t	AxA	BxB	H	H1	H2	H3	H4	H5	B1	SR	M
1-5	150	128	23	35	89	8	25	64	27	85	M24×2	14
10、20	200	140	28	45	123	22	38	90	45	150	M36×2	18
30	225	170	33	58	156	32	48	108	54	180	M42×2	18
50	250	200	38	64	182	42	54	114	64	200	M42×2	18
100	325	290	50	90	238	48	79	-	102	300	M70×3	18
150,200	365	330	80	120	340	60	79	-	136	300	M90×3	18
300	405	370	100	180	460	80	90	-	160	500	M120×3	18

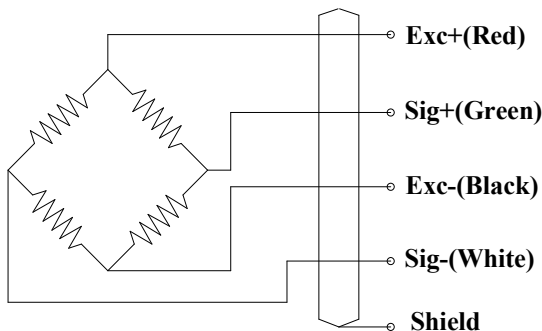
SPECIFICATIONS

Capacity	t	1,2,3,5,10,20,30,50,100,150,200,300
Rated output	mv/v	2.0±0.1%
Non-linearity	%F.S	0.03
Hysteresis	%F.S	0.03
Creep in 30 minutes	%F.S	0.03
Zero balance	%F.S	±1
Input resistance	Ω	700±30
Output resistance	Ω	700±5
Insulation resistance	MΩ	≥5000
Excitation voltage	V	10V (maximum 15V) AC/DC
Environmental protection		IP67
Safe overload	%F.S	150
Ultimate overload	%F.S	300
Operating temperature range	°C	-10~+40
Material		Alloy steel & Stainless steel
Cable Length	m	6~12

FEATURE

- Capacities 1~300 t
- Axle-load scale, warehouse scale, experimental machine

Wiring Schematic Diagram



INTERCHANGEABLE PRODUCTS

ANYLOAD Model 363YH