

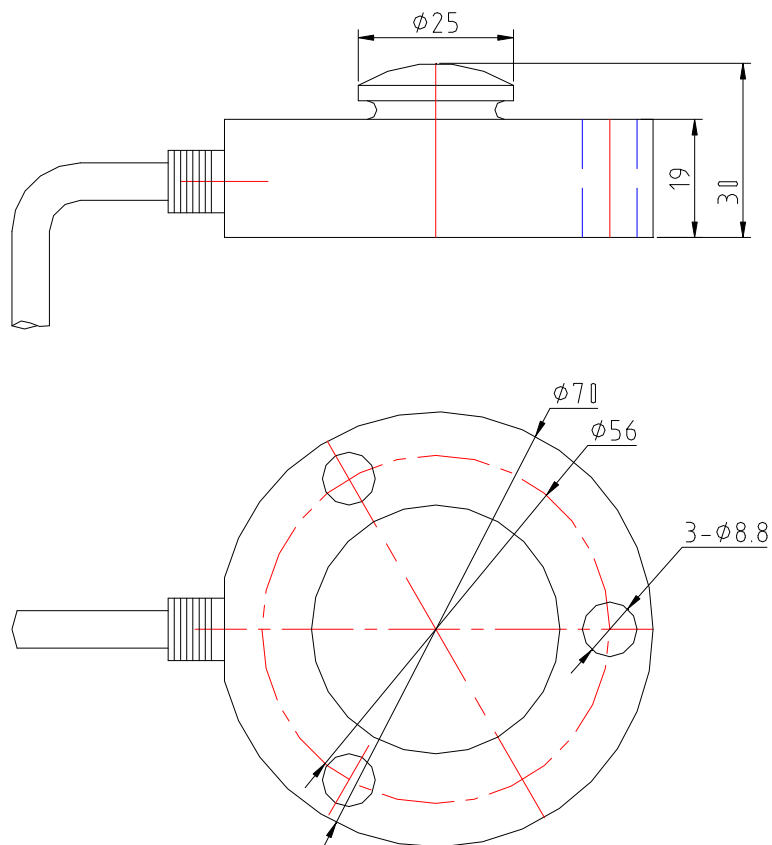
MRB-1 Sensor

DESCRIPTION

Axle wheel identify unit.



OUTLINE DIMENSIONS in millimeters (mm)



SPECIFICATIONS

Capacity	t	1
Rated output	mv/v	1.0±0.01
Non-linearity	%F.S	0.3
Hysteresis	%F.S	0.3
Creep in 30 minutes	%F.S	0.10
Zero balance	%F.S	±1
Input resistance	Ω	387±5
Output resistance	Ω	350±1
Insulation resistance	MΩ	≥5000
Excitation voltage	V	10V (maximum 15V) AC/DC
Environmental protection		IP67
Safe overload	%F.S	150
Ultimate overload	%F.S	300
Operating temperature range	℃	-10~+40
Material		Alloy steel & Stainless steel
Cable Length	m	6

Wiring Schematic Diagram

