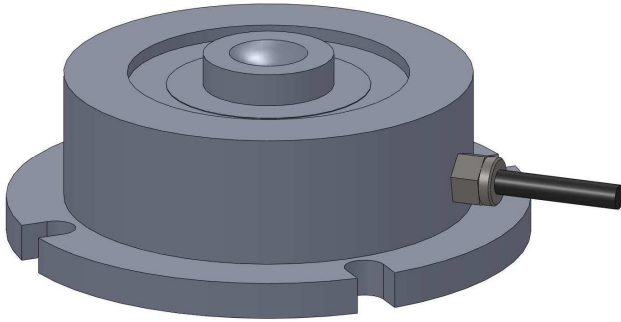


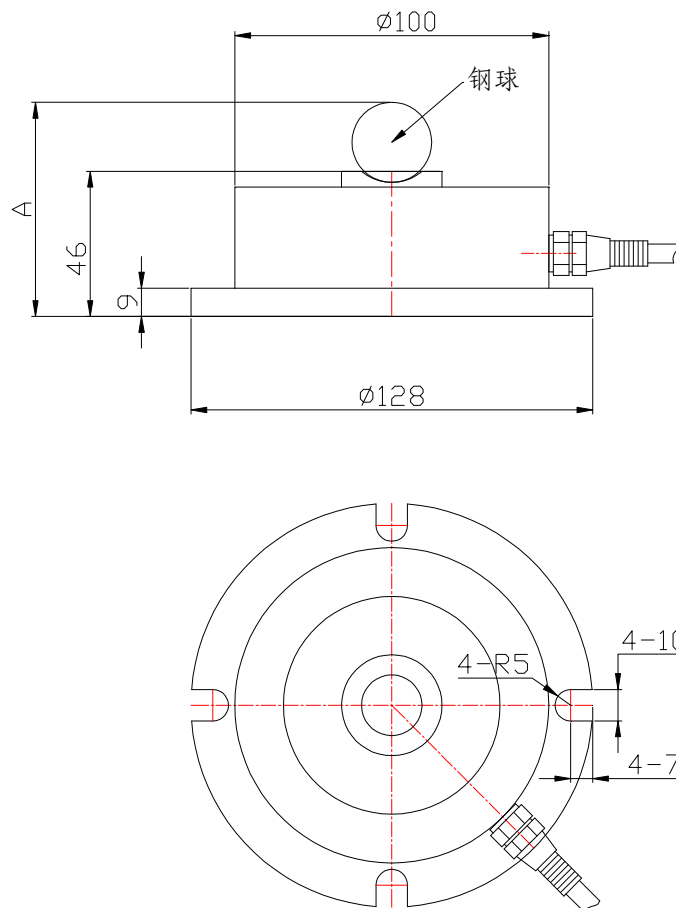
# MYB-7B Sensor

## DESCRIPTION

Axle wheel identify unit.



## OUTLINE DIMENSIONS in millimeters (mm)



Capacity	Size mm	
t	A	钢球
1, 2	58.4	Φ15.875
3, 4, 5	67.9	Φ25.4

## SPECIFICATIONS

Capacity	t	1, 2, 3, 4, 5
Rated output	mv/v	2.0±0.01
Non-linearity	%F.S	0.1
Hysteresis	%F.S	0.1
Creep in 30 minutes	%F.S	0.10
Zero balance	%F.S	±1
Input resistance	Ω	750±10
Output resistance	Ω	700±1
Insulation resistance	MΩ	≥5000
Excitation voltage	V	10V (maximum 15V) AC/DC
Environmental protection		IP67
Safe overload	%F.S	150
Ultimate overload	%F.S	300
Operating temperature range	℃	-10~+40
Material		Alloy steel & Stainless steel
Cable Length	m	6

## Wiring Schematic Diagram

