

ML1 Sensor

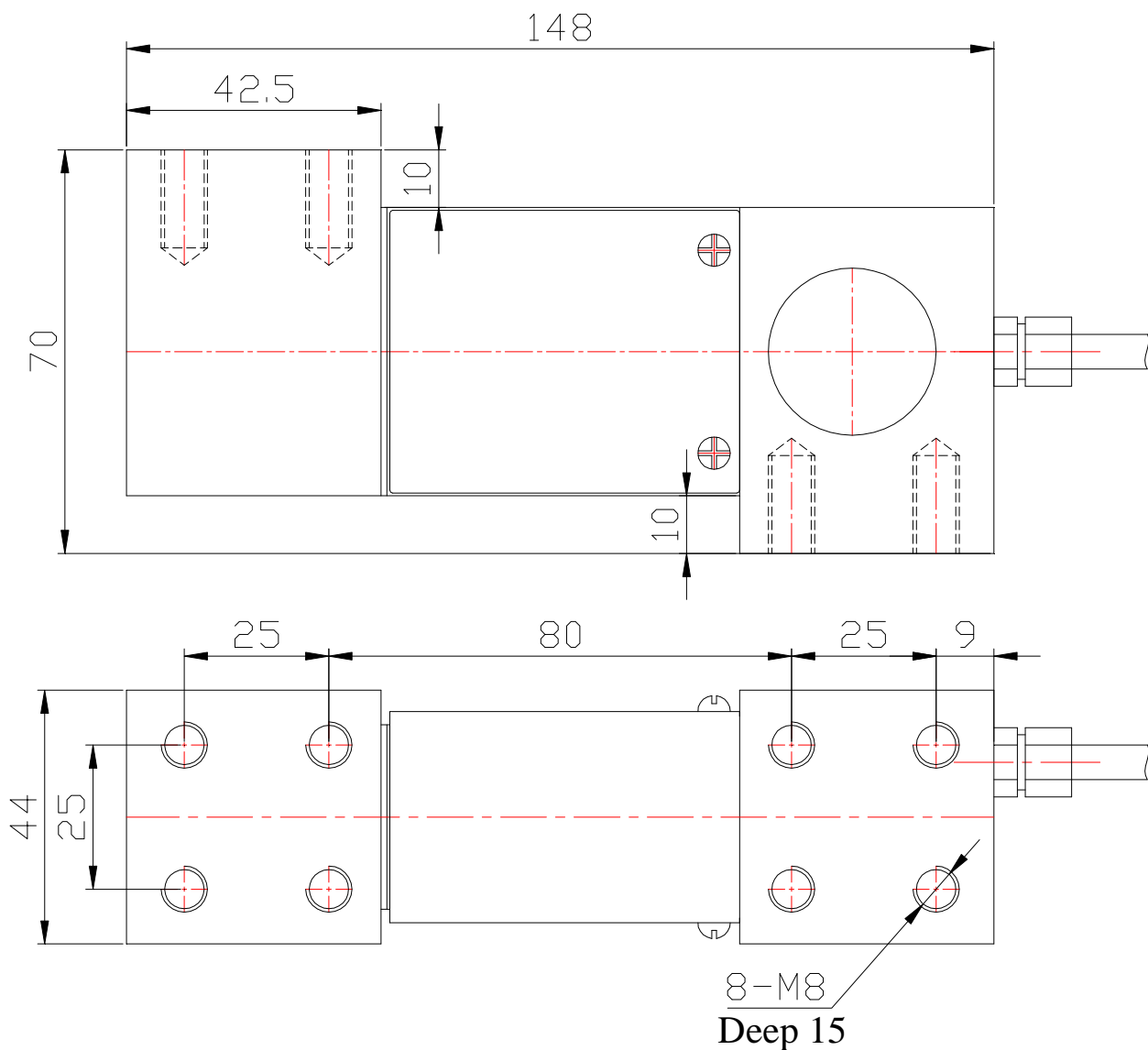
Single point Sensor



DESCRIPTION

Metallic crust protect; Corner adjusted before delivery to ensure consistent output in stated load plane; Simple to install, easy to use; Suitable for electronic platform scale, etc.

OUTLINE DIMENSIONS in millimeters



SPECIFICATIONS

Capacity	kg	20,30,50,70,100,150,200,250,300,500,700,1000
Rated output	mv/v	2.0±0.010
Non-linearity	%F.S	0.02
Hysteresis	%F.S	0.02
Creep in 30 minutes	%F.S	0.03
Zero balance	%F.S	±1
Input resistance	Ω	385±10
Output resistance	Ω	350±3
Insulation resistance	MΩ	≥5000
Excitation voltage	V	10V (maximum 15V) AC/DC
Environmental protection		IP67
Safe overload	%F.S	120
Ultimate overload	%F.S	200
Operating temperature range	°C	-10~+40
Material		Alloy steel & Stainless steel
Cable Length	m	5

Wiring Schematic Diagram

