

Sensor Accessory



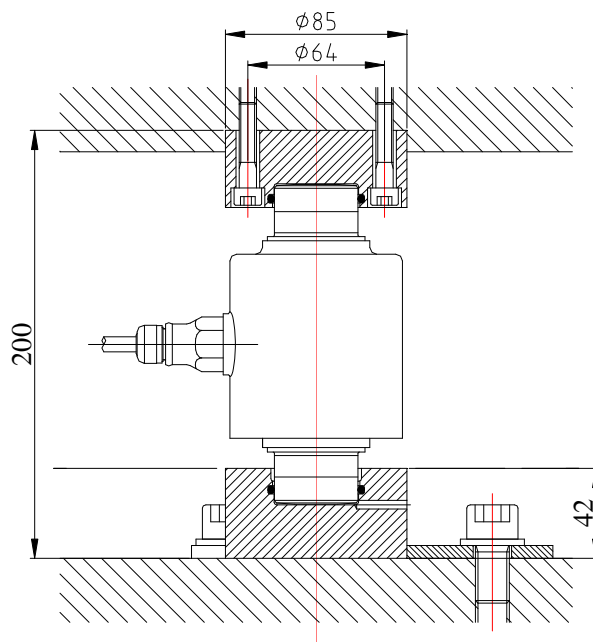
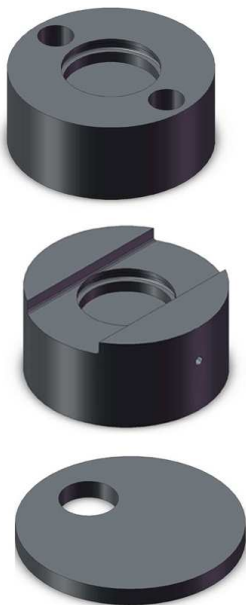
OUTLINE DIMENSIONS in millimeters

DESCRIPTION

Easy installation, good self-aligning ability, anti-reversal ability.

Stainless steel construction, anti-corrosion, can be used under hazardous environments. mainly used for platform scales, automobile testing facilities, electronic truck scales and other electronic weighing devices. form a complete set of sensor MZ4

Z401



Z402

