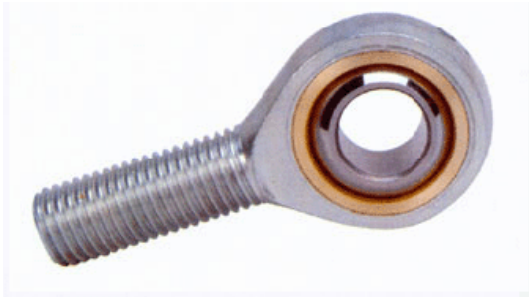


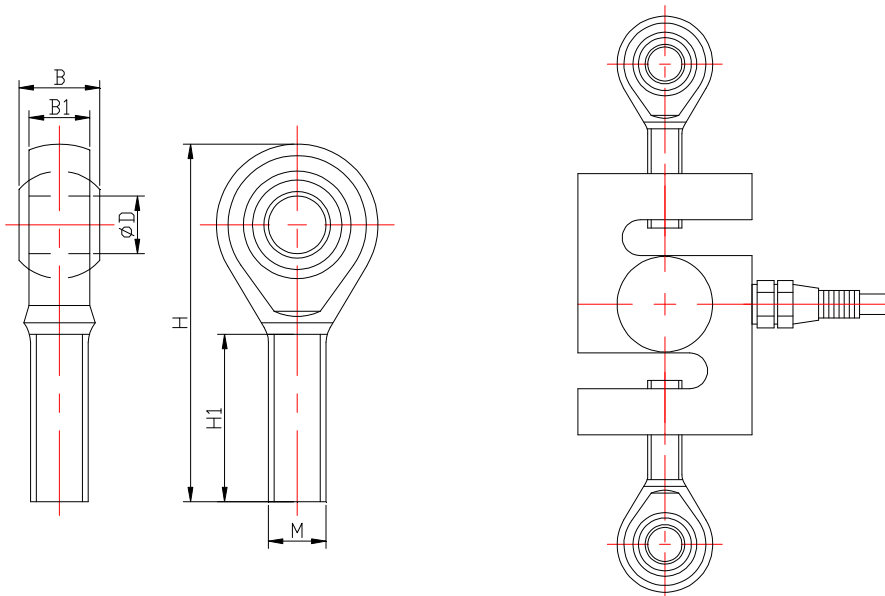
Sensor Accessory



DESCRIPTION

Rod end joint bearing and S type sensor combination, can be applied to electro-mechanic scale, crane scale, packing scale, hopper scale and electron weighing apparatus.

OUTLINE DIMENSIONS in millimeters



Size mm(inch)							
M		D		B	B1	H1	H
M6×1	--	6	--	9	6.75	22	46
M8×1.5	--	8	--	12	9	25	54
M10×1.5	(3/8-24UNF)	10	(3/8)	14	10.5	29	62
M12×1.75	(1/2-20UNF)	12	--	16	12	33	70
M14×2	--	14	--	19	13.5	36	77
M16×2	--	16	--	21	15	40	86
M18×1.5	--	18	--	23	16.5	44	95
M20×1.5	(3/4-16UNF)	20	(3/4)	25	18	47	103
M22×1.5	--	22	--	28	20	51	111
M24×2	1-14UNS	25	(1.00)	31	22	57	124
M27×2	--	28	--	35	26	62	136
M30×2	--	30	--	37	25	66	145