

MQC1 Sensor

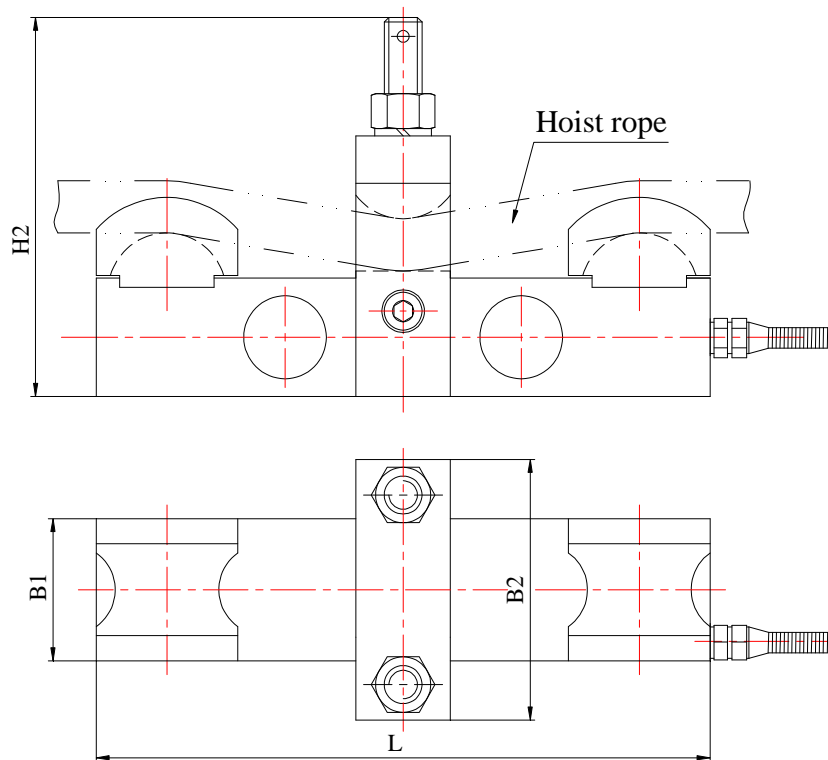
Safe control sensor



DESCRIPTION

It is a double ended shear beam sensor

OUTLINE DIMENSIONS in millimeters (mm)

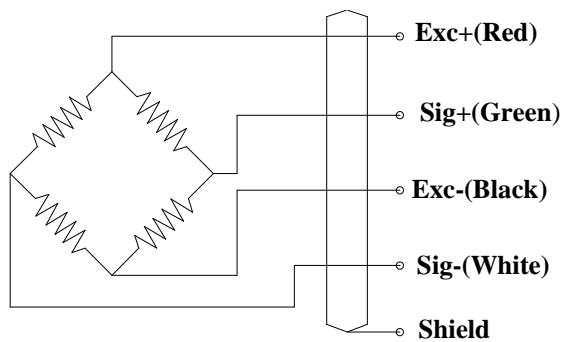


Capacity (t)	Size mm				
	H1	B1	B2	L	Hoist rope diameter
1	158.5	40	60	180	Φ6~Φ14
2					Φ10~Φ18
3					Φ12~Φ20
5	199.5	40	60	180	Φ16~Φ26
10	238	60	110	260	Φ24~Φ36

SPECIFICATIONS

Capacity	t	1, 2, 3, 5, 10
Rated output	mv/v	2.0±0.1%
Non-linearity	%F.S	0.03
Hysteresis	%F.S	0.03
Creep in 30 minutes	%F.S	0.03
Zero balance	%F.S	±1
Input resistance	Ω	700±10
Output resistance	Ω	700±2
Insulation resistance	MΩ	≥5000
Excitation voltage	V	10V (maximum 15V) AC/DC
Environmental protection		IP67
Safe overload	%F.S	150
Ultimate overload	%F.S	300
Operating temperature range	℃	-10~+40
Material		Alloy steel
Cable Length	m	1

Wiring Schematic Diagram



FEATURE

- Capacities 1~10 t
- Nickel plated alloy steel construction
- Hoist rope overload alarm, overrun load control and all kinds of tension weighing device

INTERCHANGEABLE PRODUCTS

KELI **Model SCN**