

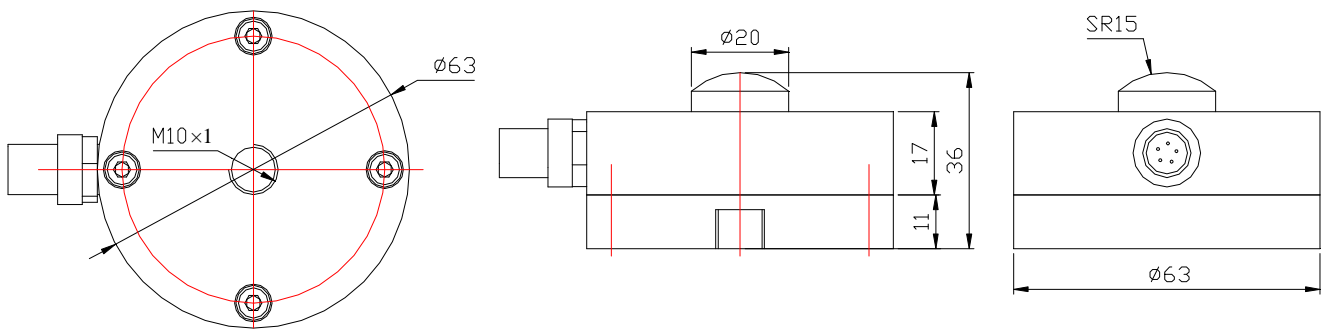
MYB3 Sensor



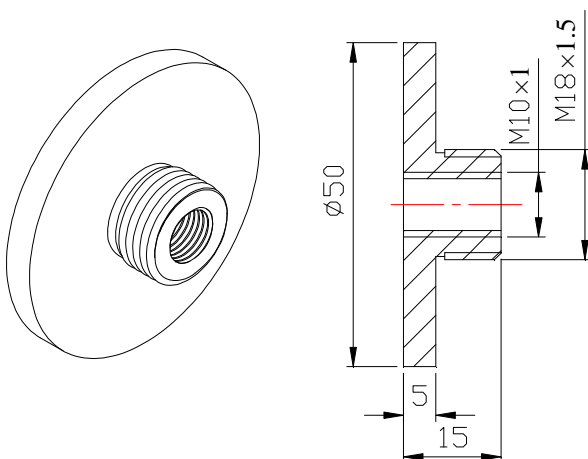
DESCRIPTION

Axle wheel identify unit

OUTLINE DIMENSIONS in millimeters (mm)



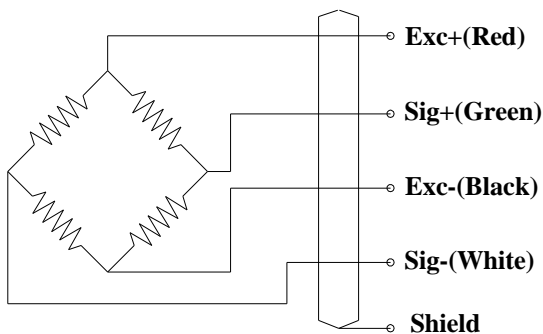
Accessories



SPECIFICATIONS

Capacity	kg	500,1000,2000,3000
Rated output	mv/v	2.0±0.1%
Non-linearity	%F.S	0.05
Hysteresis	%F.S	0.05
Creep in 30 minutes	%F.S	0.05
Zero balance	%F.S	±1
Input resistance	Ω	700±10
Output resistance	Ω	700±2
Insulation resistance	MΩ	≥5000
Excitation voltage	V	10V (maximum 15V) AC/DC
Environmental protection		IP67
Safe overload	%F.S	150
Ultimate overload	%F.S	300
Operating temperature range	°C	-10~+40
Material		Alloy steel
Cable Length	m	6~12

Wiring Schematic Diagram



FEATURE

- Capacities 500~3000 kg
- Overload protection
- Amplifier mode

Amplifier connection mode

Power : Red
Public side : Green
Output : Black