

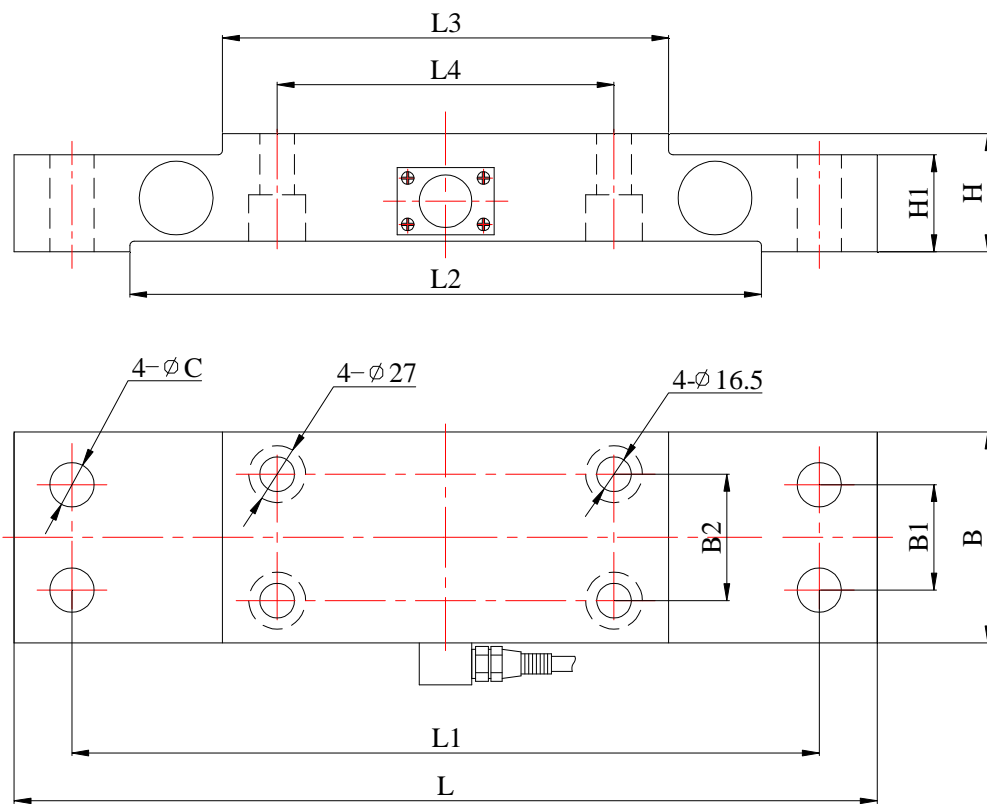
MQ4 Sensor



DESCRIPTION

Simple and reliable load bearing, easy to install. Lifting Weight Limiter.

OUTLINE DIMENSIONS in millimeters (mm)

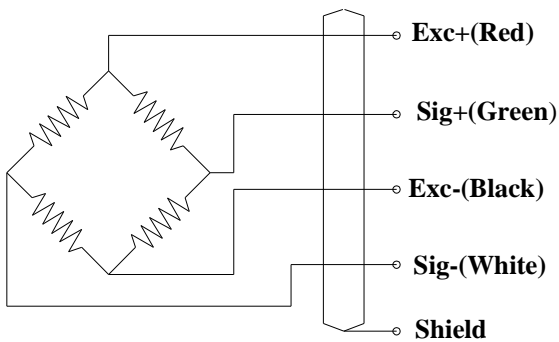


Capacity 量程	Size 尺寸 (mm)										
t	L	L1	L2	L3	L4	H	H1	B	B1	B2	ΦC
1.5	350	310	300	152	100	56	46	75	38	40	17
2.5	410	355	300	182	130	56	46	100	50	60	21
4~10	410	355	300	212	160	56	46	100	50	60	21

SPECIFICATIONS

Capacity	t	1.5, 2.5, 4, 5, 7.5, 10
Rated output	mv/v	1.2±0.1%
Non-linearity	%F.S	0.05
Hysteresis	%F.S	0.05
Creep in 30 minutes	%F.S	0.05
Zero balance	%F.S	±1
Input resistance	Ω	750±10
Output resistance	Ω	702±3
Insulation resistance	MΩ	≥5000
Excitation voltage	V	10V (maximum 15V) AC/DC
Environmental protection		IP67
Safe overload	%F.S	150
Ultimate overload	%F.S	300
Operating temperature range	°C	-10~+40
Material		Alloy steel
Cable Length	m	2

Wiring Schematic Diagram



Amplifier connection mode

Power : Red
Public side : Green
Output : Black