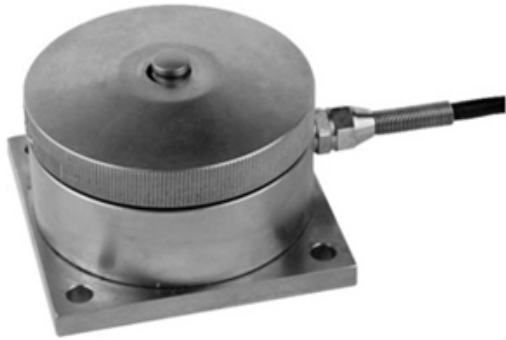


# MYB2 Sensor

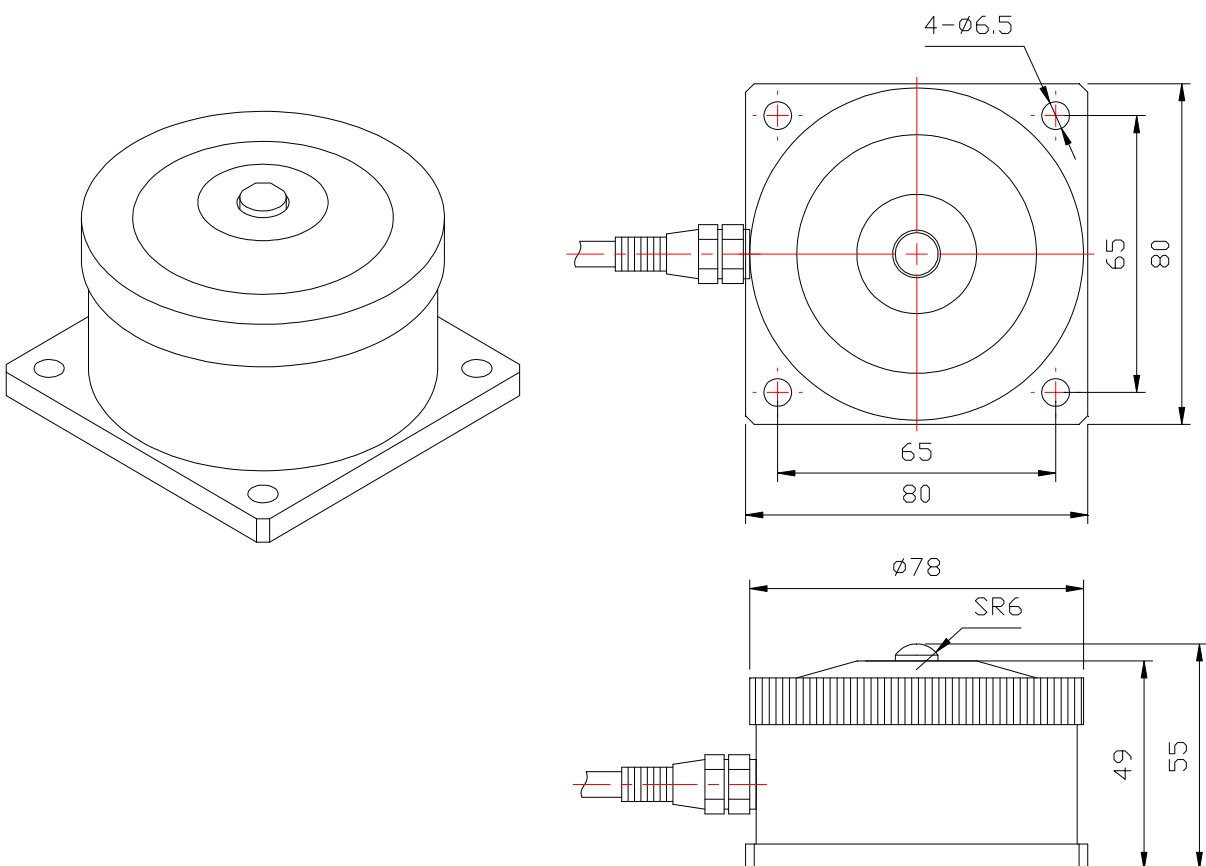
Amplifier mode (output signal 4-20mA or 0-5V)



## DESCRIPTION

Reliable performance, unique T-overload protection device; Strong anti-overload capacity. Standard signal output of the integration can be chooses. Such as 4-20mA or 0-5V three-wire amplifier. Apply to weigh-belt, hopper scales.

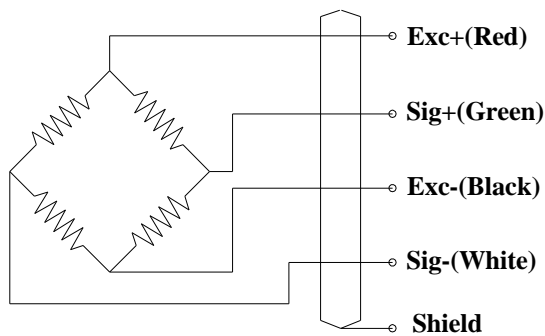
## OUTLINE DIMENSIONS in millimeters (mm)



## SPECIFICATIONS

Capacity	kg	3,5,10,20,30,50,100,150
Rated output	mv/v	2.0±0.1%
Non-linearity	%F.S	0.03
Hysteresis	%F.S	0.03
Creep in 30 minutes	%F.S	0.03
Zero balance	%F.S	±1
Input resistance	Ω	380±10
Output resistance	Ω	351±2
Insulation resistance	MΩ	≥5000
Excitation voltage	V	10V (maximum 15V) AC/DC
Environmental protection		IP67
Safe overload	%F.S	150
Ultimate overload	%F.S	300
Operating temperature range	°C	-10~+40
Material		Alloy steel
Cable Length	m	3

## Wiring Schematic Diagram



## Amplifier connection mode

Power : Red  
Public side : Green  
Output : Black

## FEATURE

- Capacities 3~150 kg
- Overload protection
- Amplifier mode