

# MNJ1 Sensor

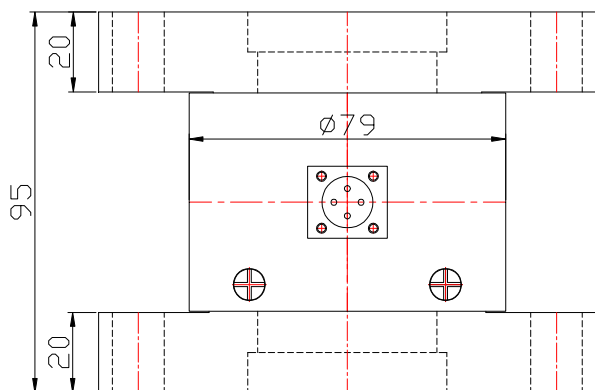
## Torque force sensor



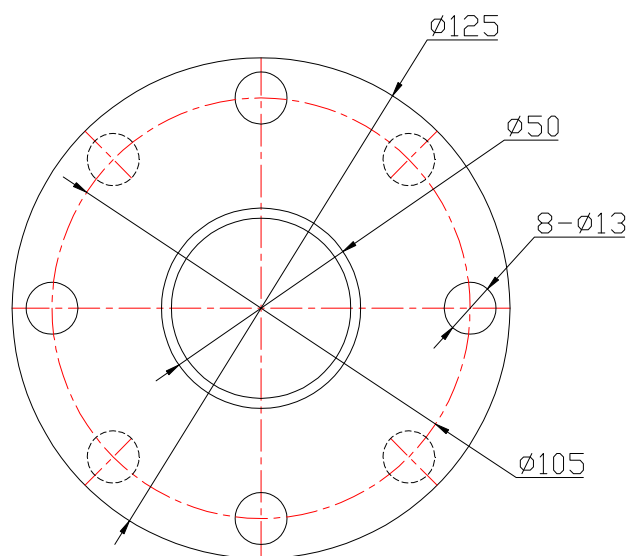
### DESCRIPTION

It is a torque force sensor , Apply to static, non-continuous rotation of the torque force values measured.

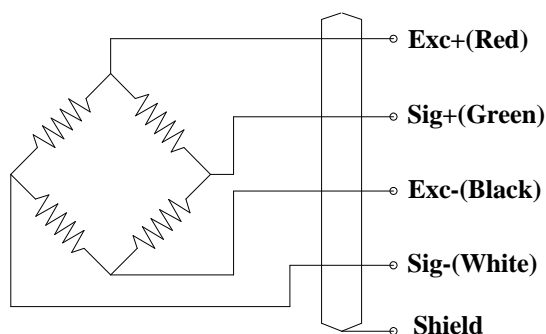
### OUTLINE DIMENSIONS in millimeters 外形尺寸 (mm)



### TOP VIEW



### Wiring Schematic Diagram



### FEATURE

- Capacities 1000~5000N.m
- Nickel plated alloy steel construction
- Apply to static, non-continuous rotation of the torque force values measured.

**SPECIFICATIONS**

<b>Capacity</b>	<b>N.m</b>	<b>1000,2000,3000,5000</b>
<b>Rated output</b>	<b>mv/v</b>	<b>1.0~2.0±0.1%</b>
<b>Non-linearity</b>	<b>%F.S</b>	<b>0.05</b>
<b>Hysteresis</b>	<b>%F.S</b>	<b>0.05</b>
<b>Creep in 30 minutes</b>	<b>%F.S</b>	<b>0.05</b>
<b>Zero balance</b>	<b>%F.S</b>	<b>±1</b>
<b>Input resistance</b>	<b>Ω</b>	<b>380±10 &amp; 750±10</b>
<b>Output resistance</b>	<b>Ω</b>	<b>350±3 &amp; 700±5</b>
<b>Insulation resistance</b>	<b>MΩ</b>	<b>≥5000</b>
<b>Excitation voltage</b>	<b>V</b>	<b>10V (maximum 15V) AC/DC</b>
<b>Environmental protection</b>		<b>IP67</b>
<b>Safe overload</b>	<b>%F.S</b>	<b>120</b>
<b>Ultimate overload</b>	<b>%F.S</b>	<b>300</b>
<b>Operating temperature range</b>	<b>°C</b>	<b>-10~+40</b>
<b>Material</b>		<b>Alloy steel</b>
<b>Cable Length</b>	<b>m</b>	<b>3</b>