

MZ8 Sensor

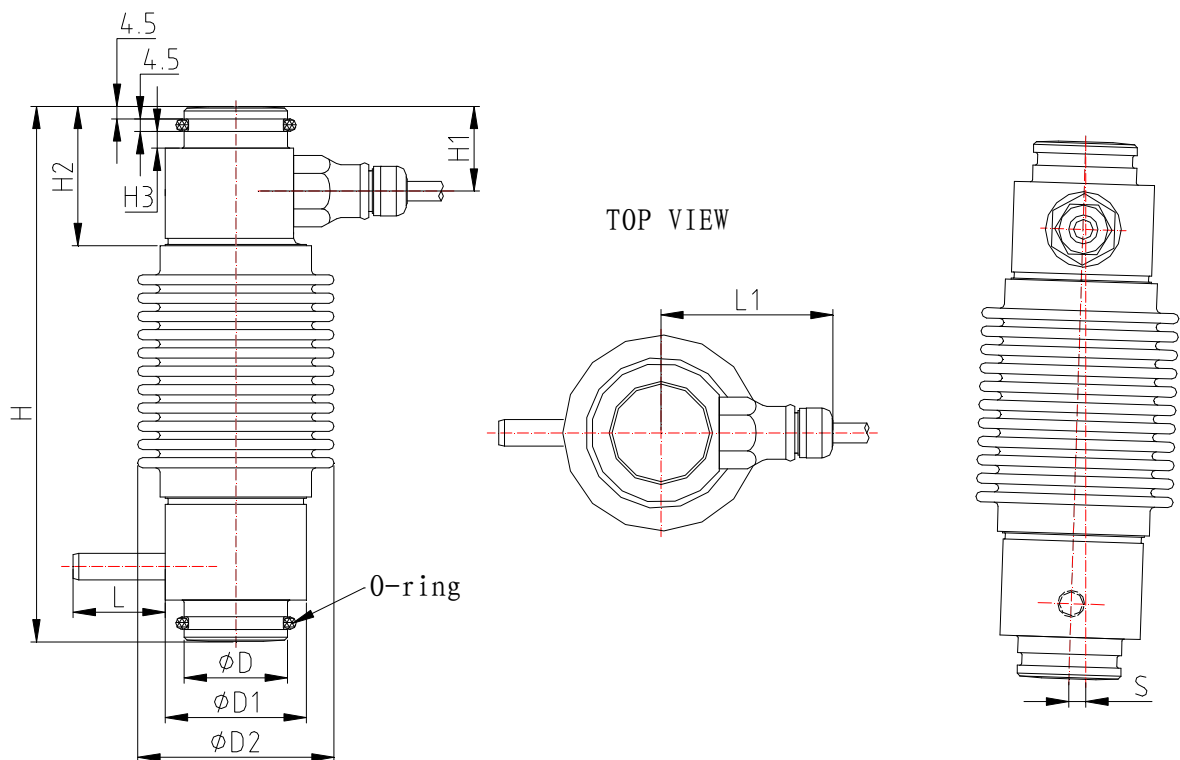
Stainless steel rocker column load cell



DESCRIPTION

It is a stainless steel rocker column sensor with complete hermetic sealing. It is a perfect fit for use in harsh industrial environment.

OUTLINE DIMENSIONS in millimeters (mm)

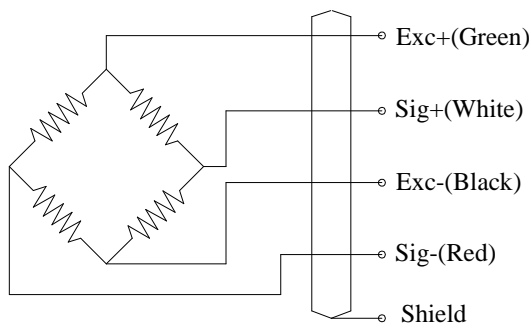


Capacity(kN)	ϕD	$\phi D1$	$\phi D2$	H	H1	H2	H3	L	L1
250	37	50	72	192	34	51	15	33	62
400	37	64	85	225	36	57	16	26	69
600	54.4	64	85	225	36	57	16	26	69
900	54.4	64	85	225	36	57	16	26	69

SPECIFICATIONS

Capacity	kN	250, 400, 600, 900
Rated output	mv/v	2.0±0.1%
Non-linearity	%F.S	0.03
Hysteresis	%F.S	0.03
Creep in 30 minutes	%F.S	0.03
Zero balance	%F.S	±1
Input resistance	Ω	400±15
Output resistance	Ω	351±1
Insulation resistance	MΩ	≥5000
Excitation voltage	V	10V (maximum 15V) AC/DC
Environmental protection		IP67
Safe overload	%F.S	150
Ultimate overload	%F.S	300
Operating temperature range	°C	-10~+40
Material		Alloy steel & Stainless steel
Cable Length	m	12m(250kN), 16m(400kN), 18m(600 and 900kN),

Wiring Schematic Diagram



FEATURE

- Capacities 250~900 kN
- Stainless steel construction
- Self restoring design
- Weighbridges, hoppers, tanks and silos
- Calibration in mV/V/ Ω

INTERCHANGEABLE PRODUCTS

- FLINTEC Model RC1
- KELI Model ZSJB