

MZ6 Sensor

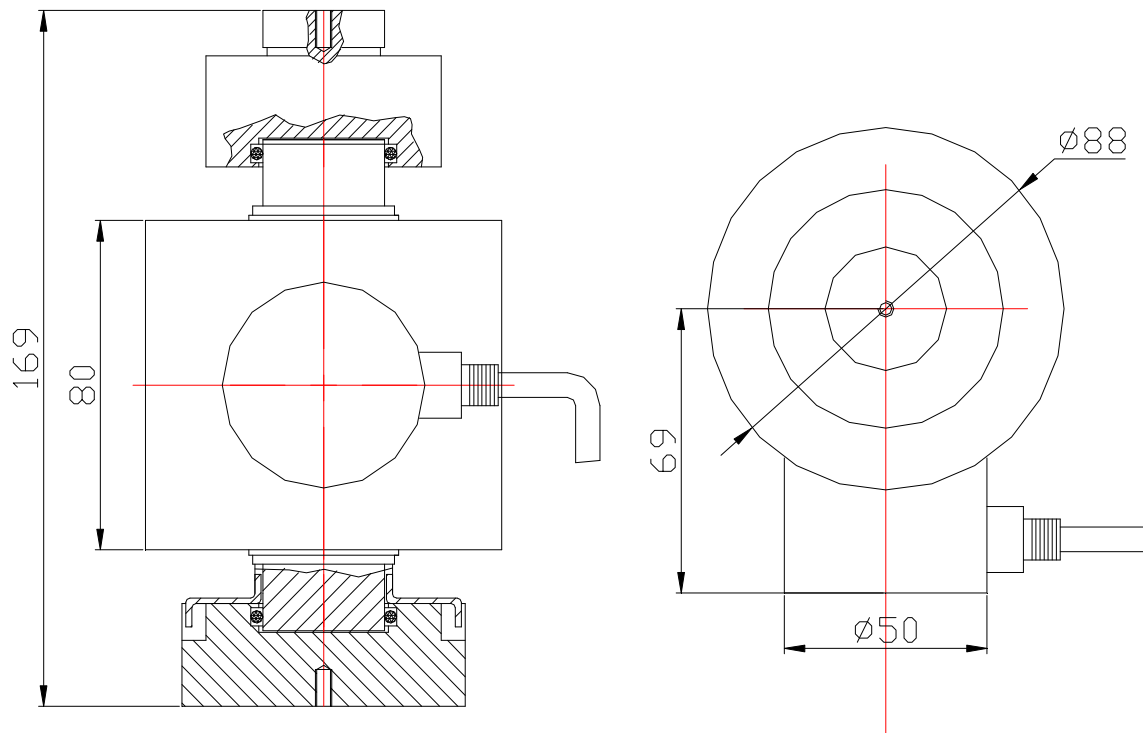
Stainless steel columns in the sensor



DESCRIPTION

With anti rotation groove, stainless steel housing, surge arrestors fitted, simple to install, the alloy steel compression element is nickel plated.

OUTLINE DIMENSIONS in millimeters (mm)



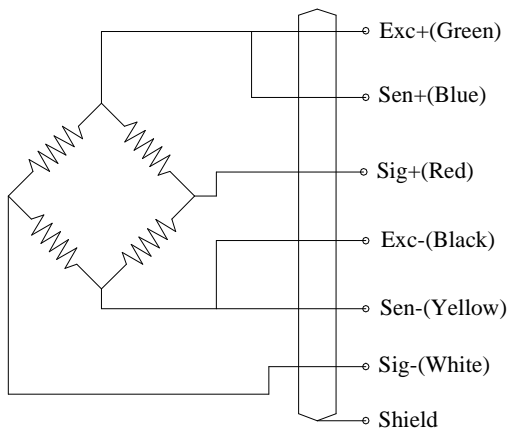
FEATURE

- Capacities 5-50 ton t
- Stainless steel construction
- High input resistance
- Self restoring design
- Applications truck weighbridges/silo and hopper weighing

SPECIFICATIONS

| | | |
|-----------------------------|------|-------------------------------|
| Capacity | t | 5,10,20,30,50 |
| Rated output | mv/v | 1.5 |
| Non-linearity | %F.S | 0.03 |
| Hysteresis | %F.S | 0.03 |
| Creep in 30 minutes | %F.S | 0.03 |
| Zero balance | %F.S | ±1 |
| Input resistance | Ω | 670±15 |
| Output resistance | Ω | 605±5 |
| Insulation resistance | MΩ | ≥5000 |
| Excitation voltage | V | 10V (maximum 15V) AC/DC |
| Environmental protection | | IP67 |
| Safe overload | %F.S | 1 50 |
| Ultimate overload | %F.S | 300 |
| Operating temperature range | ℃ | -10~+40 |
| Material | | Alloy steel & stainless steel |
| Cable Length | m | 15 |

Wiring Schematic Diagram



INTERCHANGEABLE PRODUCTS

- Vishay Model 121