

MZ5 Sensor

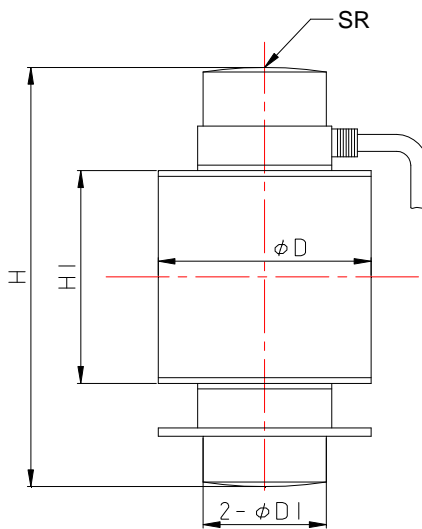
Stainless steel columns in the sensor



DESCRIPTION

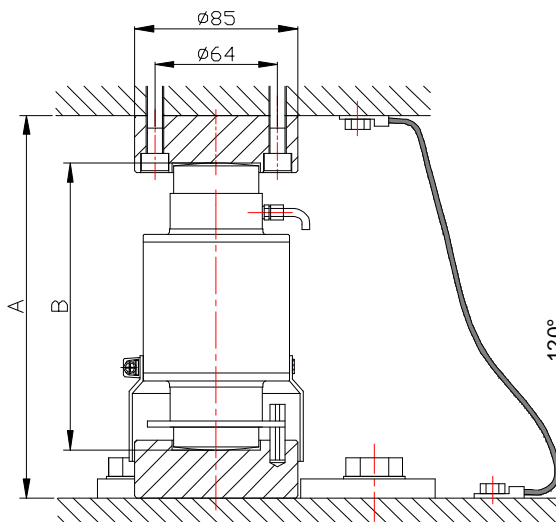
Simple to install, stainless steel materials, laser welded, IP68; Self-restoring function.

OUTLINE DIMENSIONS in millimeters (mm)

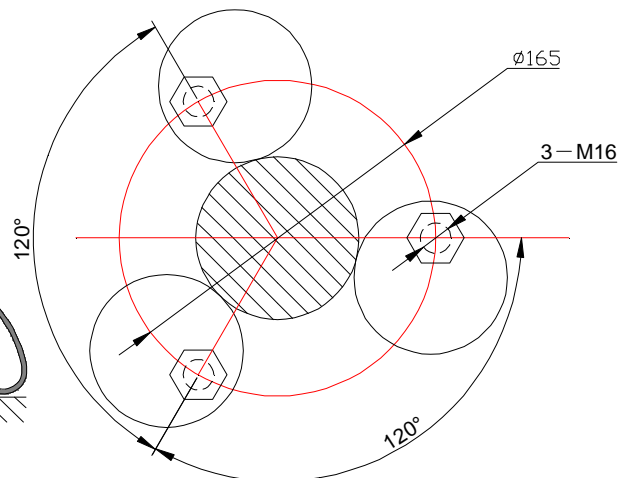


Capacity	H	D	D1	H1	SR
15t	130	76.1	44	76.1	110
20t	150	76.1	44	76.1	130
30t	150	76.1	44	76.1	160
40t	150	76.1	44	76.1	180
60t	210	76.1	44	76.1	220
100t	260	95.0	60	95.0	290

Mounting 1

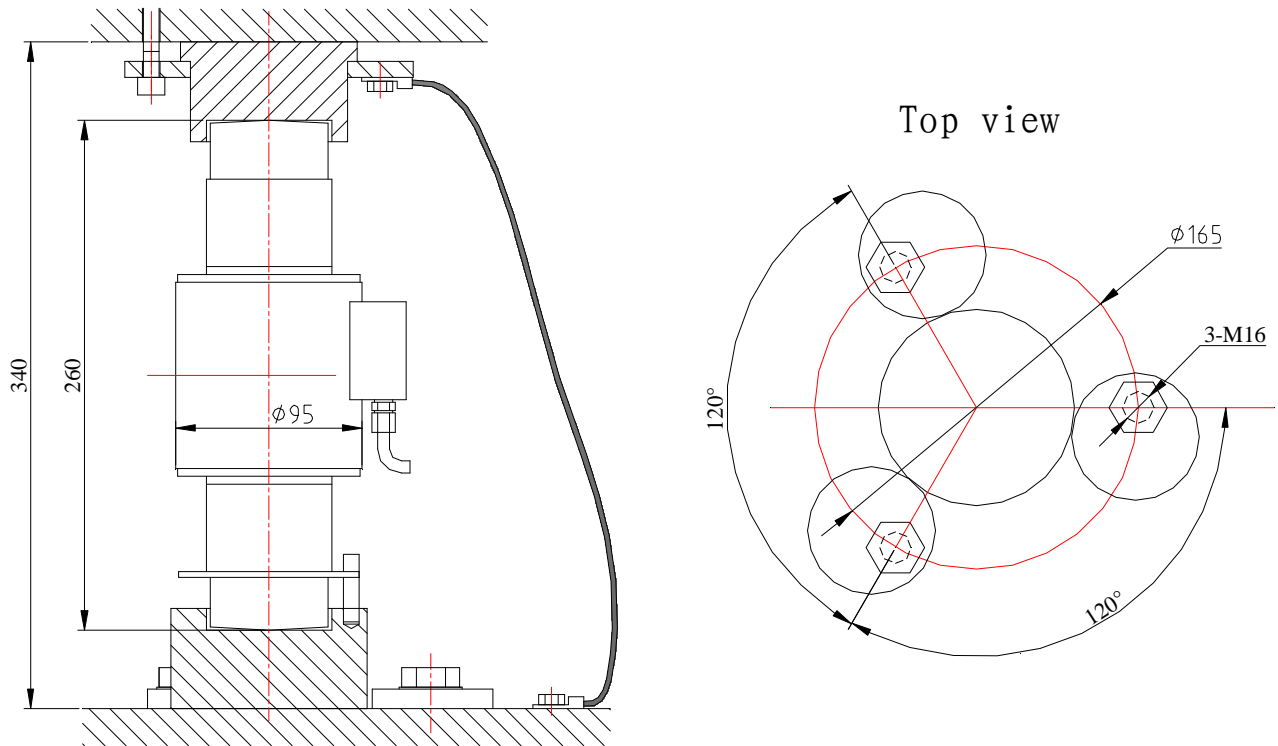


TOP VIEW



Capacity	15t	20t	30t	40t	60t
A	160	180	200	200	260
B	130	150	150	150	210

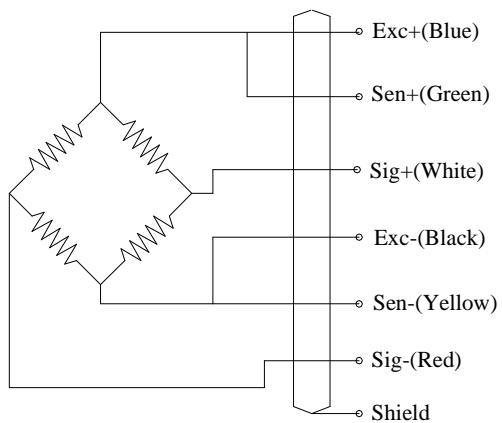
Mounting 2 Capacity 100t



SPECIFICATIONS

Capacity	t	15, 20, 30, 40, 60, 100
Rated output	mv/v	2.0
Non-linearity	%F.S	0.03
Hysteresis	%F.S	0.03
Creep in 30 minutes	%F.S	0.03
Zero balance	%F.S	±1
Input resistance	Ω	700±20
Output resistance	Ω	706±3
Insulation resistance	MΩ	≥5000
Excitation voltage	V	10V (maximum 15V) AC/DC
Environmental protection		IP68
Safe overload	%F.S	150
Ultimate overload	%F.S	300
Operating temperature range	°C	-10~+40
Material		Alloy steel & Stainless steel
Cable Length	m	12m(Φ6) for 15 to 30t 20m(Φ6) for 40 to100t

Wiring Schematic Diagram



FEATURE

- Capacities 15~100 ton
- Stainless steel construction
- Self restoring design

INTERCHANGEABLE PRODUCTS

- HBM Model C16A
- KELI Model ZSF-A/ZSFY-A

*KELI ZSF-A/ZSFY-A and HBM C16 is Stainless steel case different